

A. Package content

- Controller X 1, Accessory kit X 1 (Plastic screw X 3, Fastening screw X 3, 1N4004 X 1, Cable: 2pin X 1, 4pin X 1, 5pin X 2, 8pin X 1), CD X 1, Warranty card X 1, Installation Guide X 1

B. Installation

■ Preparation

1. Wipe dust and wet from the wall.
2. Fasten the waterproof plastic plate on the wall.
3. Drill the holes indicating on the plastic plate.
4. Fasten the plate with plastic screws to each holes.

■ Using the line hole under side

1. Use the screw driver to open the back cover of host.
2. Install the back cover by using the screws which attached inside.
3. Please refer to process C to finish the installation.
4. Pass the cable through the line hole under side.
5. Combine the machine body, and then fix the screw under the machine.

■ Using the line hole at back cover

1. Use the screw driver to open the back cover of host.
2. Pass the cable through the line hole at the back cover.
3. Install the back cover by using the screws which attached inside.
4. Please refer to process C to finish the installation.
5. Combine the machine body, and then fix the screw under the machine.

■ Physical Dimension: 80 X 120 X 25 (mm)

■ RECOMMENDED

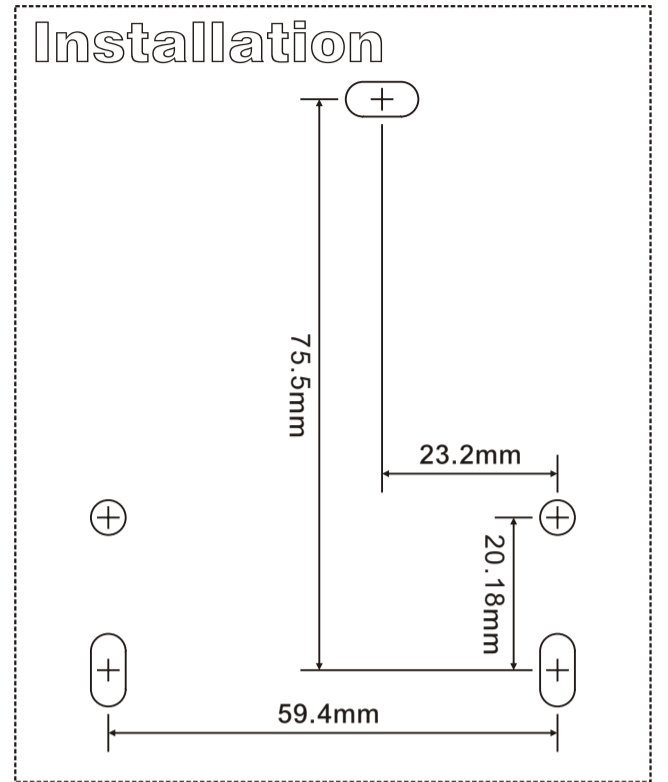
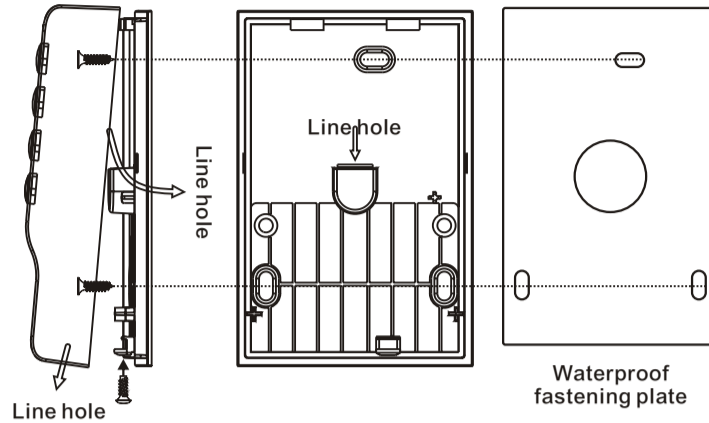
- Cable with shielded, Linear DC power supply, Network cable.

■ SPECIFICATIONS

- Voltage range: 9-24V DC
- Current max. Average: 600 mA
- Max distance for wiegand is 80M
- Max distance for RS-485 is 1000M

■ Notice

- Do not connect other cable to the power unit except red & black power cable.
- Do not apply any unverified power supply to the unit or the hardware system may be damaged or may cause system an unstable condition.



C. System Connection

■ Connector table

J1	Cable		LAN Cable		RJ-45
	Pin	Color	Pin	Color	
1	TX+	BLACK	ORANGE	WHITE	
2	TX-	RED	ORANGE		
3	RX+	GREEN	GREEN	WHITE	
4	RX-	YELLOW	GREEN		

J9	Pin	Color	Signal	
	1	485-	GREY	485
	2	485+	BROWN	
	3	FGND	ORANGE	GND
	4	OD0	RED WHITE	WIEGAND OUT
	5	OD1	BLACK WHITE	
	6	GND	ORANGE	GND
	7	OUT	YELLOW WHITE	TTL(5V) output
8	IN	BLUE WHITE	FIRE ALARM INPUT	

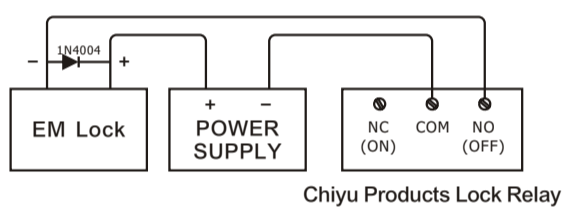
J3	Pin	Color	Signal	
	1	WID0	VIOLET WHITE	WIEGAND IN
	2	WID1	GREEN WHITE	
	3	GND	ORANGE	GND
	4	BUZZ	BLUE BLACK	Used to control LED and Buzzer of WG Reader
5	LED	YELLOW BLACK		

J4	Pin	Color	Signal	
	1	SENR	BLUE	SENSOR
	2	GND	ORANGE	GND
	3	DOOR	VIOLET	EXIT BUTTON
	4	NC	YELLOW	DOOR RELAY
	5	COM	GREEN	
6	NO	WHITE		

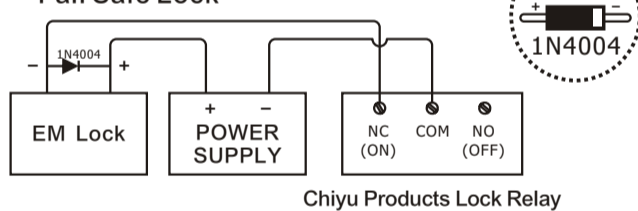
J8	Pin	Color	Signal
	1	VIN-	BLACK
2	VIN+	RED	

※ Door Relay Connect.

• Fail Secure Lock



• Fail Safe Lock



● BF-50 RJ-45 Cable Color Read for Reader Connection Max distance for wiegand is 80M

Pin	Color	Signal	Notes
1	ORANGE WHITE	D0	
2	ORANGE	D1	
3	GREEN WHITE	Output, Controlled the LED of Reader	
4	BLUE	Output, Controlled the Buzzer of Reader	
5	BLUE WHITE	Reader sensing control (Must short GND)	
6	GREEN	To detect Reader	
7	BROWN WHITE	POWER-	9-24V DC power output, same as BF-50 power input.
8	BROWN	POWER+	

▼ BF-50/BF-20 Door number setting switch should be at door 1st. When WEBPASS is connected with BF-50/BF-20.

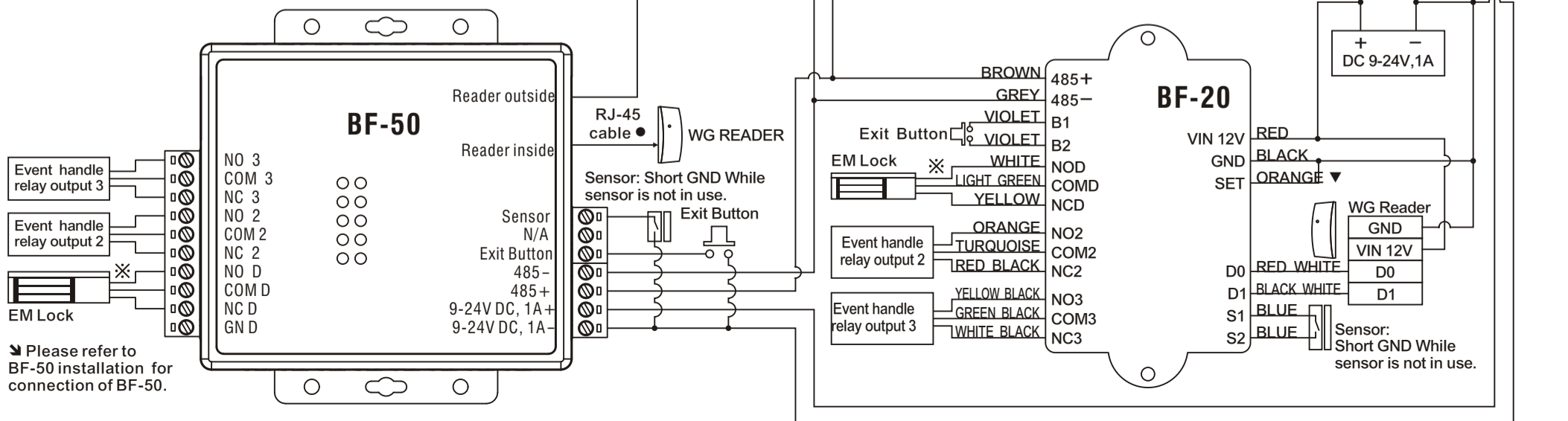


▼ If BF-20 doesn't use common battery with WG reader, GND of BF-20 must be short-circuited with GND of WG reader.

▼ Emergency mode enable:

Exit button 'can't be limited by time zone setting when RS-485 disconnect, door still can be opened.

When WEBPASS is connected with BF-50, BF-50 will be used for reader inside. Socket reader outside will be in no function.



▼ Please refer to BF-50 installation for connection of BF-50.